

TruVision™ Line

# Megapixel Cameras

TruVision™ TVD-M and TVC-M-Series megapixel High Definition (HD) indoor/outdoor (vandal proof) dome cameras.



## Overview

TruVision™ TVD-M and TVC-M-Series megapixel dome cameras deliver HD (high definition) footage while minimising IT network bandwidth utilisation. They are perfect for commercial buildings, offices, airports, schools and university campuses as well as financial institutions which require high definition video footage but with minimal network bandwidth requirements.

The TruVision cameras utilise H.264 compression technology with dual streaming capability which makes it easy to manage the camera's bandwidth usage. Video streams can be set for high and low bandwidth and images can be streamed for live-viewing or sent to a designated recording location.

The TruVision dome camera's integrated browser allows an easy remote live monitoring and playback of edge recorded video and audio (requires SDHC memory card).

The camera features alarm inputs and outputs as well as integrated motion detection to provide a comprehensive event logging system (requires SDHC memory card). TruVision IP cameras feature privacy masking. This helps to conceal sensitive areas, keep confidential data safe and prevents the areas from been seen during live view and play back.


In combination with progressive scan, it is a flexible video surveillance device equipped with advanced technology and signal processing capability to effectively capture video under challenging conditions.

Models are available for a wide variety of both indoor and outdoor (vandal proof) applications.

## Standard Features

- 1.3 and 2 MPX progressive scan IP camera
- Real-time video streaming at 1280x720p HD resolution
- Available indoor dome and vandal dome housing
- Remote monitoring, searching, playback, archiving, configuration, alarm notifications and firmware upgrades over TCP/IP
- Supports up to 16GB SDHC cards for local storage (recordings accessible via browser)  
Digital D/N switching
- Dual streaming functionality allows using different settings for recording and streaming video
- Composite video output for easy camera setup
- 12 VDC/24 VAC and PoE (Power over Ethernet) Integrated motion detection
- Features privacy masking
- Alarm inputs and outputs control external devices on Alarm
- Digital pan/tilt/zoom (PTZ)

## Megapixel Camera Comparisons

		1.3 Megapixel		2 Megapixel		
		Dome Vandal TVD-M1120V-3-P	Full Body TVC-M1120-1-P	Dome TVD-M2110-2-P	Dome Vandal TVD-M2110V-3-P	Full Body TVC-M2110-1-P
						
Camera	Compression	H.264				
	Image Device	1/3" CCD	1/3" CCD	1/3" CMOS	1/3" CMOS	1/3" CCD
	Scan	Progressive				
	Lens option	3.3 to 12mm@F1.4 Auto Iris lens	C/CS mount Auto Iris lens	2.8 to 11mm@F1.4 Auto Iris lens	2.7 to 9mm@F1.4 Auto Iris lens	C/CS mount Manual Iris Lens
	Effective pixels ( h x v )	1280x960	1280x960	1600x1200	1600x1200	1600x1200
	Sensitivity	0.13 lux @F1.4	0.13 lux @F1.2 (C) 0.01 lux @F1.2 (B/W)	0.68 lux @F1.4 (C) 0.13 lux @ F1.4 (B/W)	0.68 lux @F1.4 (C) 0.13 lux @ F1.4 (B/W)	0.5 lux @F1.2 (C) 0.1 lux @ F1.2 (B/W)
	S/N ratio	>50db				
	Composite output	1.0V p-p@75 ohms				
	D/N switching	Motorised IR cut filter	Motorised IR cut filter	Electronic	Electronic	Electronic
	Auto exposure	1/4s to 1/100000s				
	Video bit rate	32kb -8Mbits				
	Frame rate	12.5fps (1280 × 960),25fps(1280 × 720), 25fps (640 × 480)		12.5fps (1600 × 1200), 25fps (1280 × 720), 25fps (704 × 576)		
Recording	Media	SDHC card				
	Capacity	Up to 16GB (optional)				
Intelligence	Motion detection	On board, 396 zones per camera (22 x 18 grid)				
	Privacy Masking	On board, 396 zones per camera (22 x 18 grid)				
	Health Check	On board				
Network	Dual stream	Main stream, and sub stream up to real time CIF				
	Protocol	TCP/IP, HTTP, DHCP, RTP/RTCP, PPPoE				
	Type	RJ45 10/100 self adaptive ethernet port				
Miscellaneous	Input voltage	24VAC/12VDC, PoE (IEEE 802.3af)				
	Power consumption	4 Watts (10 W max. with active IR cut filter)				
	Temperature	-10°C to 60°C				
	Relative Humidity	10 to 90%				
	Dimension in mm	156D x 134H	65Wx63Hx157D	145Dx 133H	156D x 134H	65Wx63Hx157D
	Weight	1400g	600g	900g	1400g	600g
	Weatherproof rating	IP66	N/A	N/A	IP66	N/A
Remote Software requirements	Intel based PC	1GHz or faster				
	Memory	1GB RAM min				
	Operating system	MS Windows, XP, Vista or Win 7, 32bit only				
	Direct X	9.0 or later				
	Browser	Microsoft I.E6 or greater				

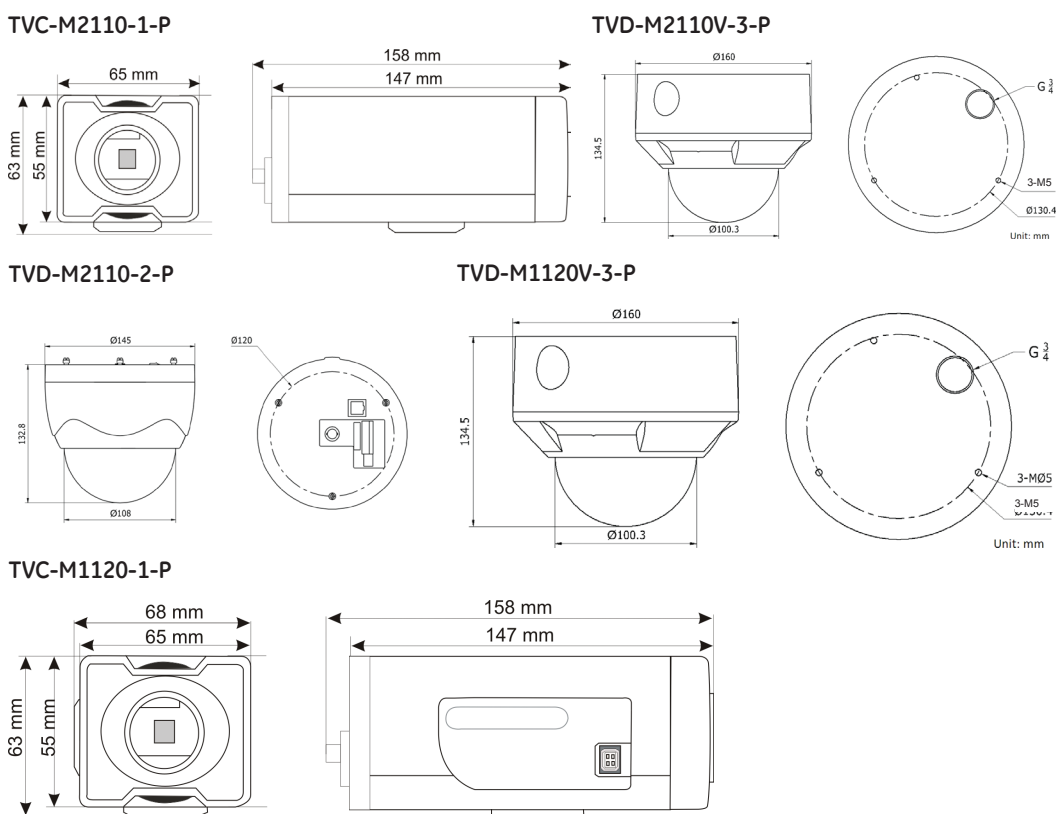
UTC Fire & Security  
National Sales Enquiries  
1300 361 479

Head Office  
Victoria  
271-273 Wellington Road  
Mulgrave Vic 3170  
T 61 3 9239 1200  
F 61 3 9239 1299

www.utcfs.com.au

UTC Fire & Security  
Australia Pty Ltd  
ABN 84 086 771 404  
© All Rights Reserved

## Dimensional Diagram



## Ordering Information

Cameras	
<b>1.3 Megapixel</b>	
TVD-M1120V-3-P	TruVision™ 1.3MPX Progressive Scan CCD Vandal Proof Dome Camera, True D/N, VF 3.3-12MM, PAL, PoE, SDHC Card Slot, IP66
TVC-M1120-1-P	TruVision™ 1.3MPX Progressive Scan CCD Full body Camera, True D/N, PAL, PoE, SDHC Card Slot
<b>2.0 Megapixel</b>	
TVD-M2110-2-P	TruVision™ 2MPX Progressive Scan CMOS Dome Camera, digital D/N, VF 2.8-11MM, PAL, PoE, SDHC Card Slot
TVD-M2110V-3-P	TruVision™ 2MPX Progressive Scan CMOS Vandal Proof Dome Camera, digital D/N, VF 3-9MM, PAL, PoE, SDHC Card Slot, IP66
TVC-M2110-1-P	TruVision™ 2MPX Progressive Scan CMOS Full Body Camera, digital D/N, PAL, PoE, SDHC Card Slot
Accessories (to be ordered separately)	
<b>Power Supplies</b>	
MPP168	Power Supply, 12VDC, 1AMP 2.5MM Stripped
T2450S/T	Power supply, 24V AC 500mA with Strip / Tin end
<b>Lenses</b>	
D+N 1.3 Mega-Pixel Vari-Focal lenses manual iris DC 1/3"	
YV10x5HR4A-2	1.3 MegaPixel 1/3" 5-50mm F1.5 - Manual Iris
D+N 1.3 Mega-Pixel Vari-Focal lenses auto iris DC 1/3"	
YV10x5HR4A-SA2	1.3 MegaPixel 1/3" 5-50mm F1.5 - Auto Iris DC
3 Mega-Pixel Vari-Focal lenses manual iris 1/3"	
YV2.8x2.8SA-2	3 MegaPixel 1/3" 2.8-8mm F1.2 - Manual Iris, Aspherical
3 Mega-Pixel Vari-Focal lenses auto iris DC 1/3"	
YV2.8x2.8SA-SA2	3 MegaPixel 1/3" 2.8-8mm F1.2 - Auto Iris DC
D+N 3 Mega-Pixel Vari-Focal lenses auto iris DC 1/3"	
YV2.1x2.8SR4A-SA2	3 MegaPixel 1/3" 2.8-6mm F1.3 - D/N Auto Iris DC
D+N 3 Mega-Pixel Vari-Focal lenses manual iris 1/3"	
YV2.1x2.8SR4A-2	3 MegaPixel 1/3" 2.8-6mm F1.3 - D/N Manual Iris



**UTC Fire & Security**

A United Technologies Company

MEGAPIXELCAM-DS-110329-2